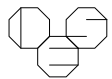
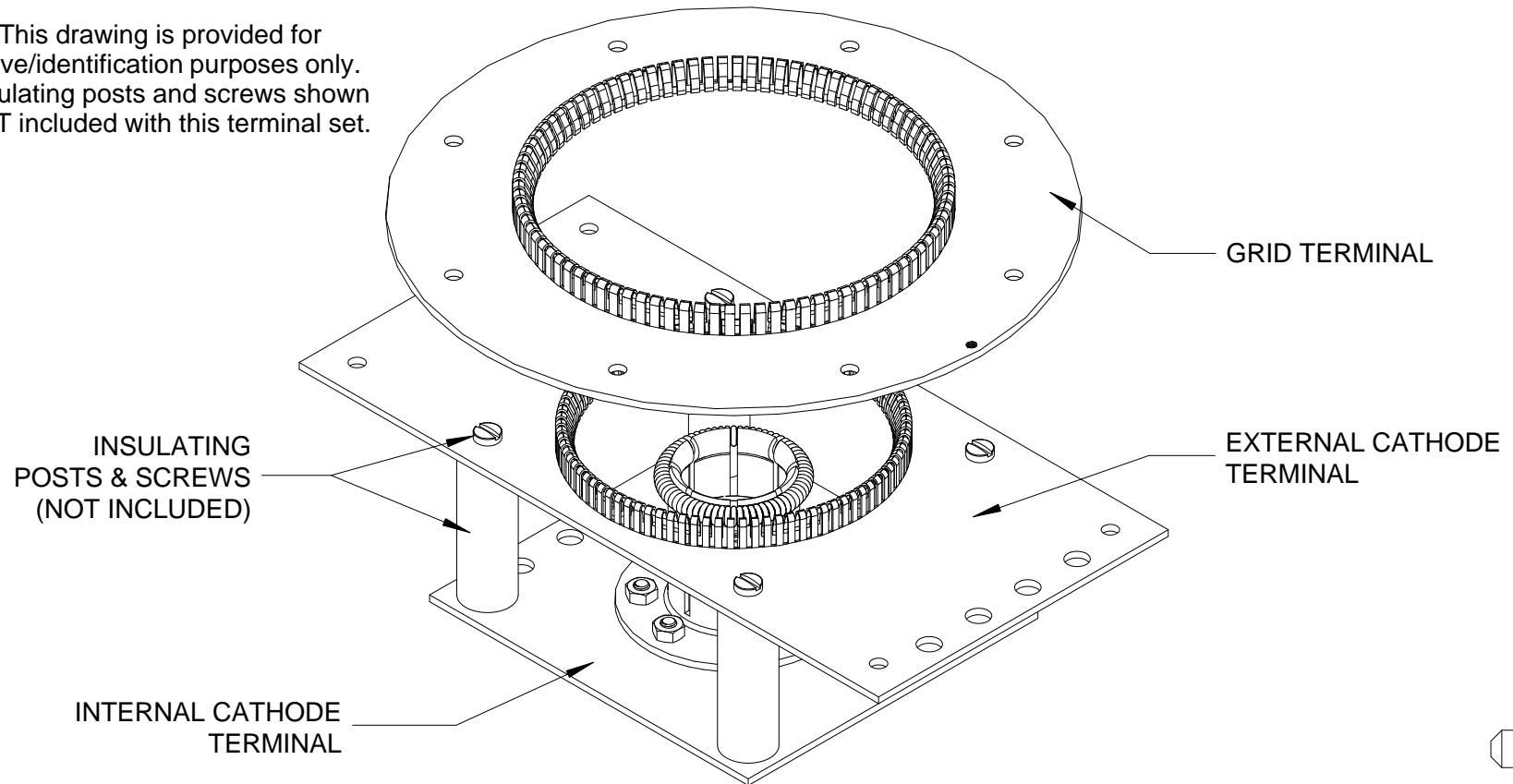


NO.	R0EKG312G
SUPSDS.	

QTY	PRODUCT	NEXT ASSY. DWG.	NO.	DESCRIPTION OF CHANGE	SCO	DATE	BY
			0	NEW ISSUE		08/15/11	DSE
			1	Added (NOT INCLUDED) and corrected description.		1/26/12	DSE

NOTE: This drawing is provided for illustrative/identification purposes only. The insulating posts and screws shown are NOT included with this terminal set.



TOLERANCES UNLESS OTHERWISE SPECIFIED			THIS DOCUMENT IS THE PROPERTY OF RICHARDSON ELECTRONICS, LTD. AND SHALL NOT BE COPIED, REPRODUCED, USED IN THE MANUFACTURE OR SALE OF APPARATUS OR DISCLOSED TO OTHERS WITHOUT PERMISSION.		
FRACTIONS $\pm 1/64$		DECIMALS: $.X \pm .1$			
ANGLES $\pm 1/2^\circ$		$.XX \pm .0XXX \pm .001$		Richardson Electronics, Ltd.	
DO NOT SCALE DRAWING					
DRAWN	DSE	SCALE	NTS	RS3021CJ TERMINAL SET	
ENG. MGR.		ENG. CHKD.			
ENG. MGR.		PRODN. APPD.			
MAT'L					
MAT'L SPEC. NO.				NO.	R0EKG321G
FINISH		PROD.		REV.	1